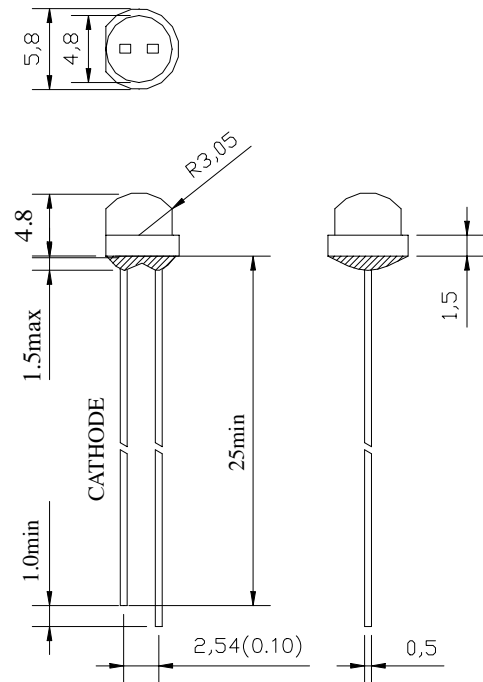




MCD-5053xx (Φ 5mm ROUND TYPE) Ultra Brightness

ABSOLUTE MAXIMUM RATING:(Ta=25°C)

Parameter			Unit
DC Forward Current	30		mA
Reverse Voltage	5		V
Reverse Current (Vr=5V)	10		μ A
Peak Forward Current ,tw ,=1 msec Duty ,=1/20	150		mA
Operation Temperature	-40	+80	°C
Storage Temperature	-40	+100	°C
Solder Dip (5 seconds, 1.6mm from body) Temperature	300	\pm 5	°C



Feature:

- 1.Small flange without stand-off
- 2.Long life-solid state reliability
- 3.Long lead length(25.4mm)
- 4.Versatile mounting on P.C. board or panel

Description:

- 1.The shape of this series is round
- 2.General application is for indication,illumination,etc.
- 3.These LED lamps are available with a choice of defferent colors,light intensities,epoxy colors,etc.

Part Number	EMITTED COLOR		Lens Color	Peak Wavelength (nm)	Vf (v) Typ.	IV (If=20mA) mcd		View Angle 2 θ 1/2
						Min.	Typ.	
MCD-5053URC	GaAlAs	Super Red	Water Clear	660	1.9	100	150	60°
MCD-5053UEC	AlGaInP	Super Red	Water Clear	625	2.0	100	200	100°
MCD-5053UYC	AlGaInP	Super Yellow	Water Clear	590	2.0	150	200	100°
MCD-5053UBC	InGaIn	Super Blue	Water Clear	470	3.5	500	600	55°
MCD-5053PGC	InGaIn	Pure Green	Water Clear	525	3.5	1200	1400	60°
MCD-5053BGC	InGaIn	Super Cyan	Water Clear	505	3.5	700	800	60°
MCD-5053UGC	AlGaInP	Yellow Green	Water Clear	572	2.0	100	200	60°
MCD-5053UEC-TL	AlGaInP	Ultra Super Red	Water Clear	625	2.0	300	400	100°
MCD-5053UYC-TL	AlGaInP	Ultra Super Yellow	Water Clear	590	2.0	300	400	100°
MCD-5053UBC-TL	InGaIn	Ultra Super Blue	Water Clear	470	3.5	600	700	60°
MCD-5053PGC-TL	InGaIn	Ultra Super Green	Water Clear	525	3.5	1800	2100	60°
MCD-5053UWC	InGaIn	Ultra Super White	Water Clear	5500K-7000K	3.5	800	900	100°
MCD-5053UWC-Y	InGaIn	Ultra Warm White	Water Clear	2700K-3500K	3.5	600	700	100°